

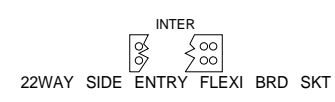
PROCESSOR
252 SHEET 4
DSP AUDIO

RECEIVER
246 GND RX-ANT SHEET 3

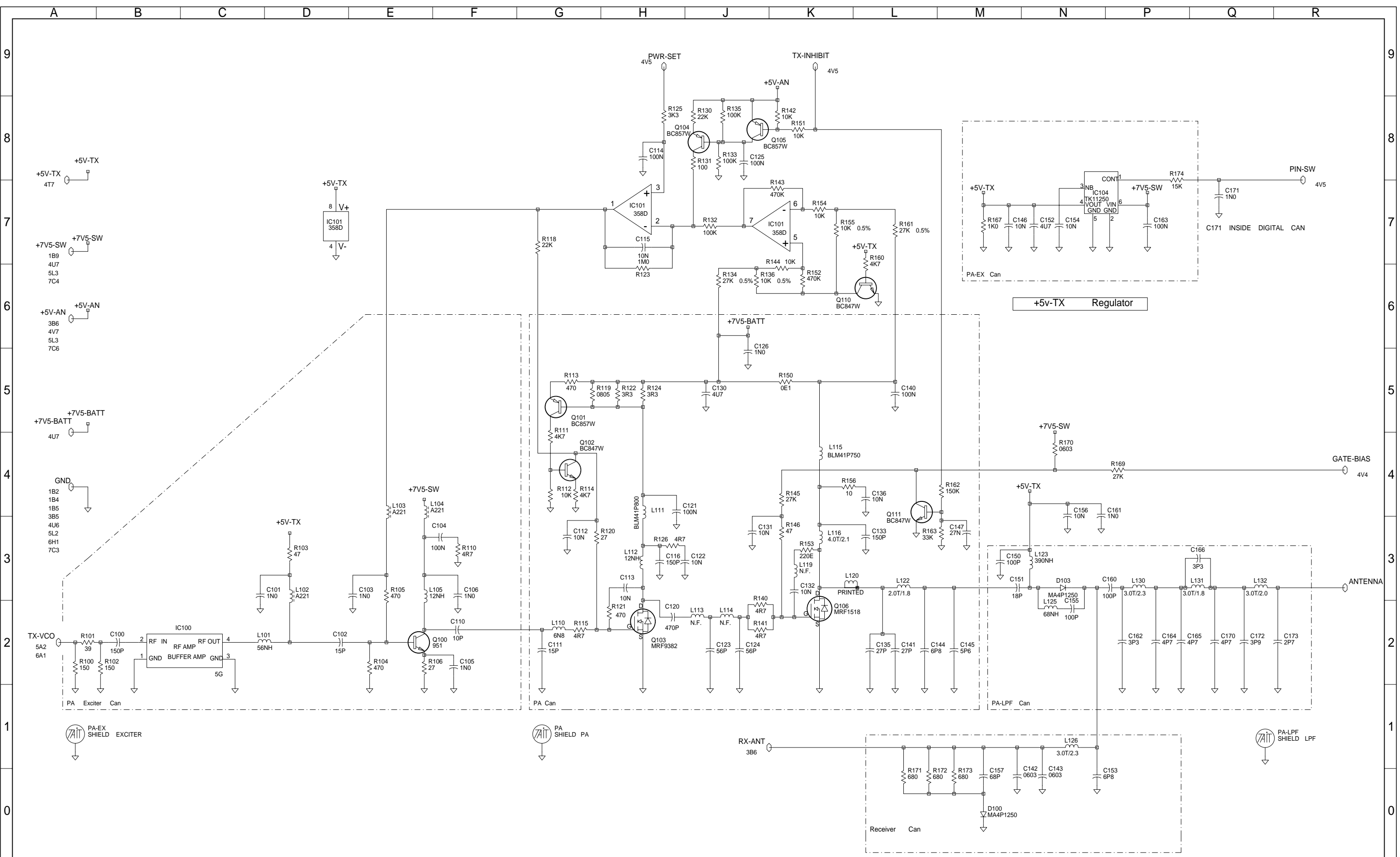
SYNTH-VCO
2922 GND VCO sheet 6

POWER-AMP
93 GND RX-ANT SHEET 2

05B	CCO 1603/009	CM		26/02/00		
05A	CCO 1603-008 BCU TRACK 2 VIAS	TS		15-12-99		
04B	CCO 1603/007	TS		18-11-99		
04A	CCO 1603/004 1603/005 1603/006	CJK		05/11/99		
03A	CCO 1603/003	CJK	SP	6/10/99		
02A	CCO 1603/001 & 002	CJK		24/09/99		
01A	NEW PA FOR 400-470 MHZ	CJK	JJ	10/06/99		
REV/ISS	AMENDMENTS	DRAWN	CHKD	D.O.	APVD	DATE

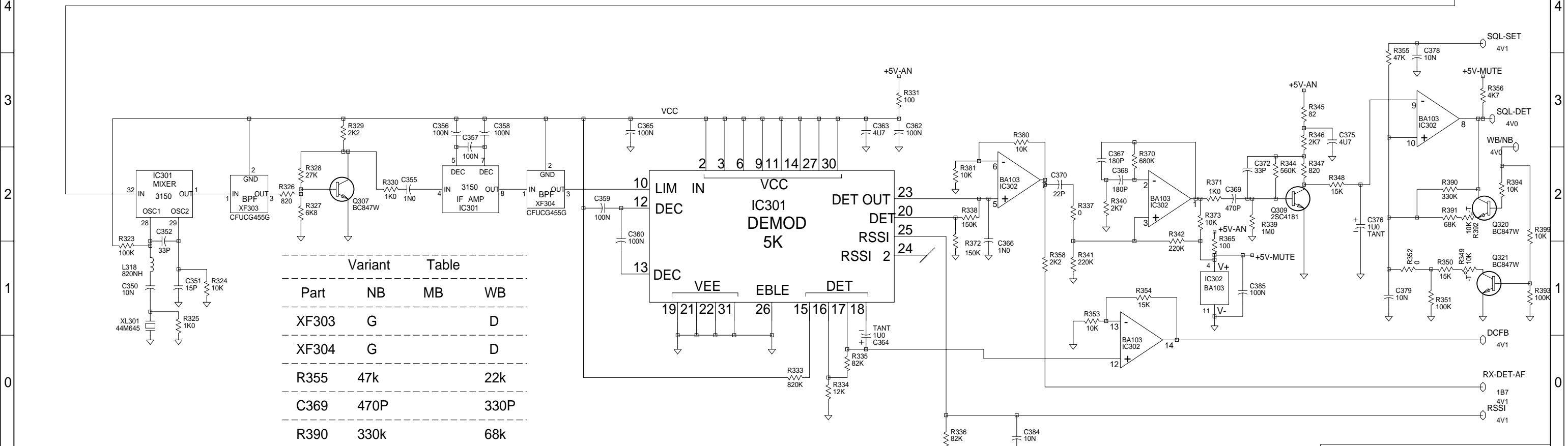
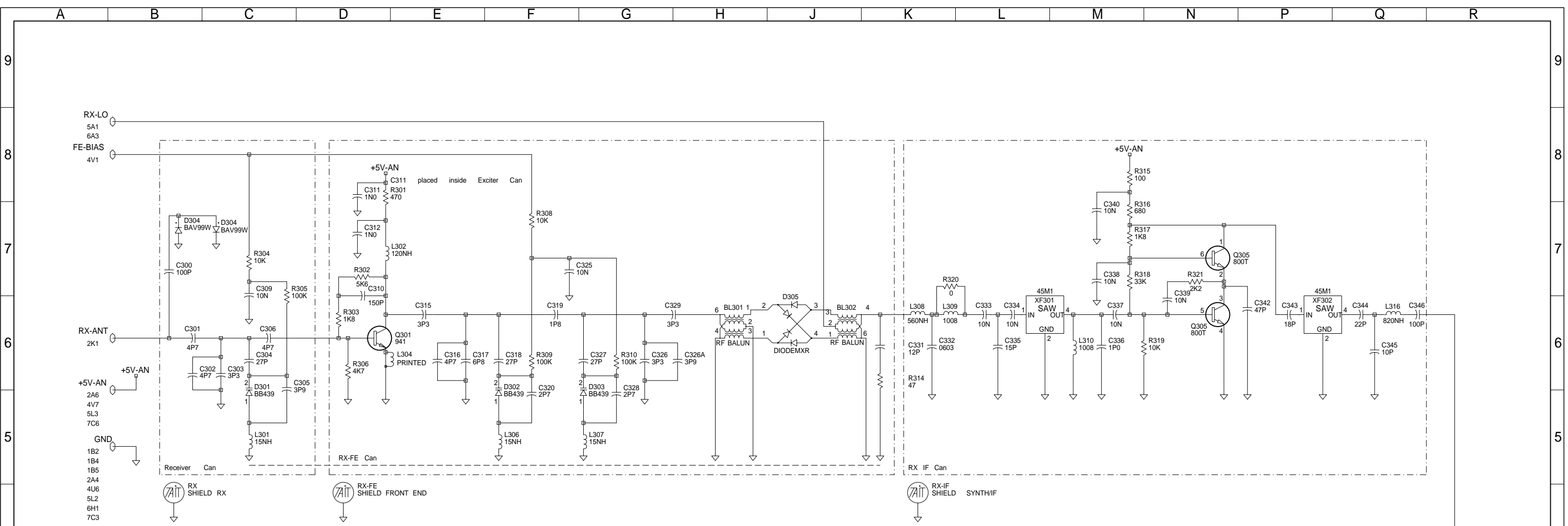


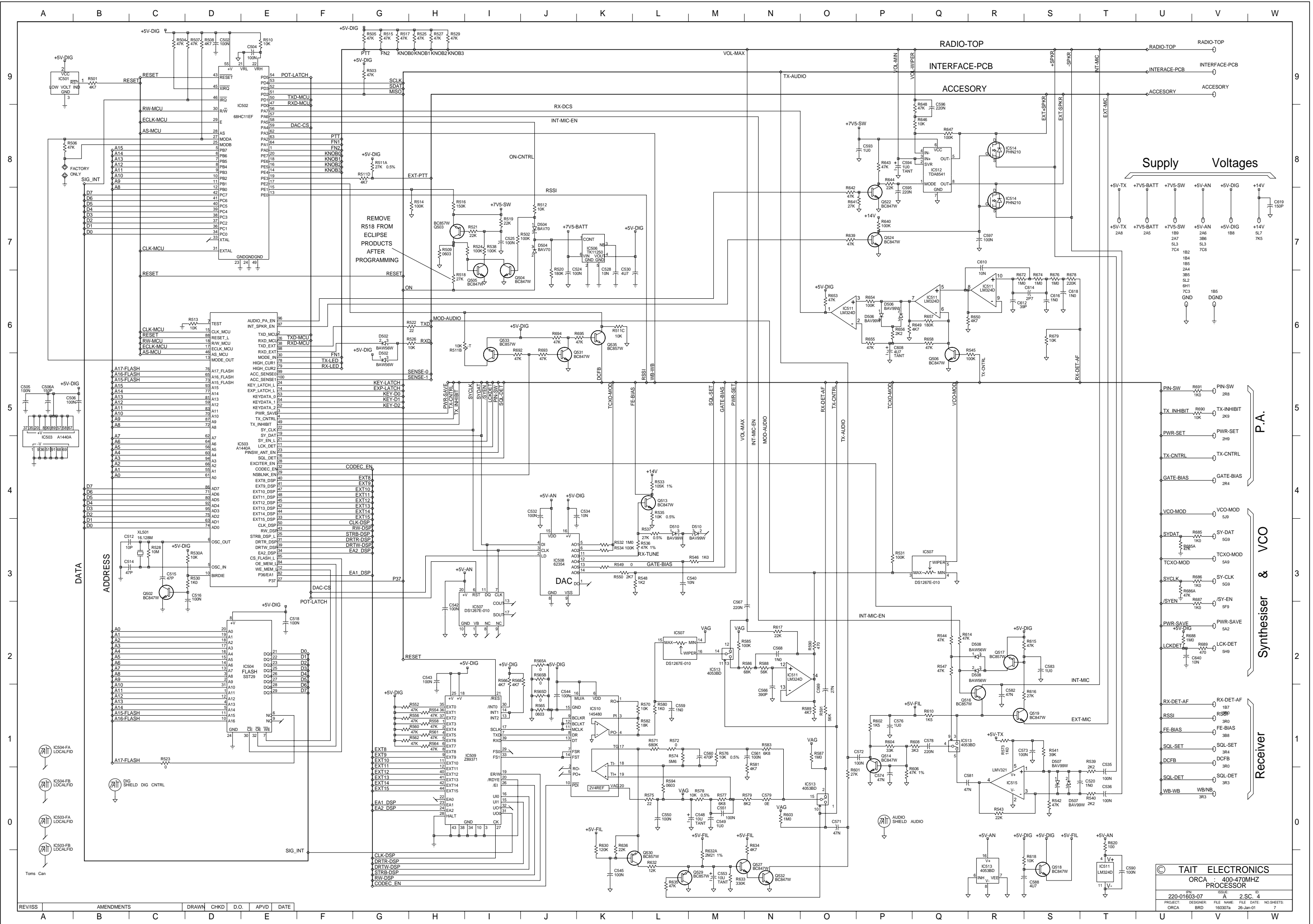
© TAIT ELECTRONICS			
ORCA : 400-470MHZ SYSTEM DIAGRAM			
IPN: 220-01603-07	ISSUE: A	ID: 2.S.C. 1	
PROJECT: ORCA	DESIGNER: BRD	FILE NAME: 160307a	FILE DATE: 26-Jan-01
NO. SHEETS: 7			



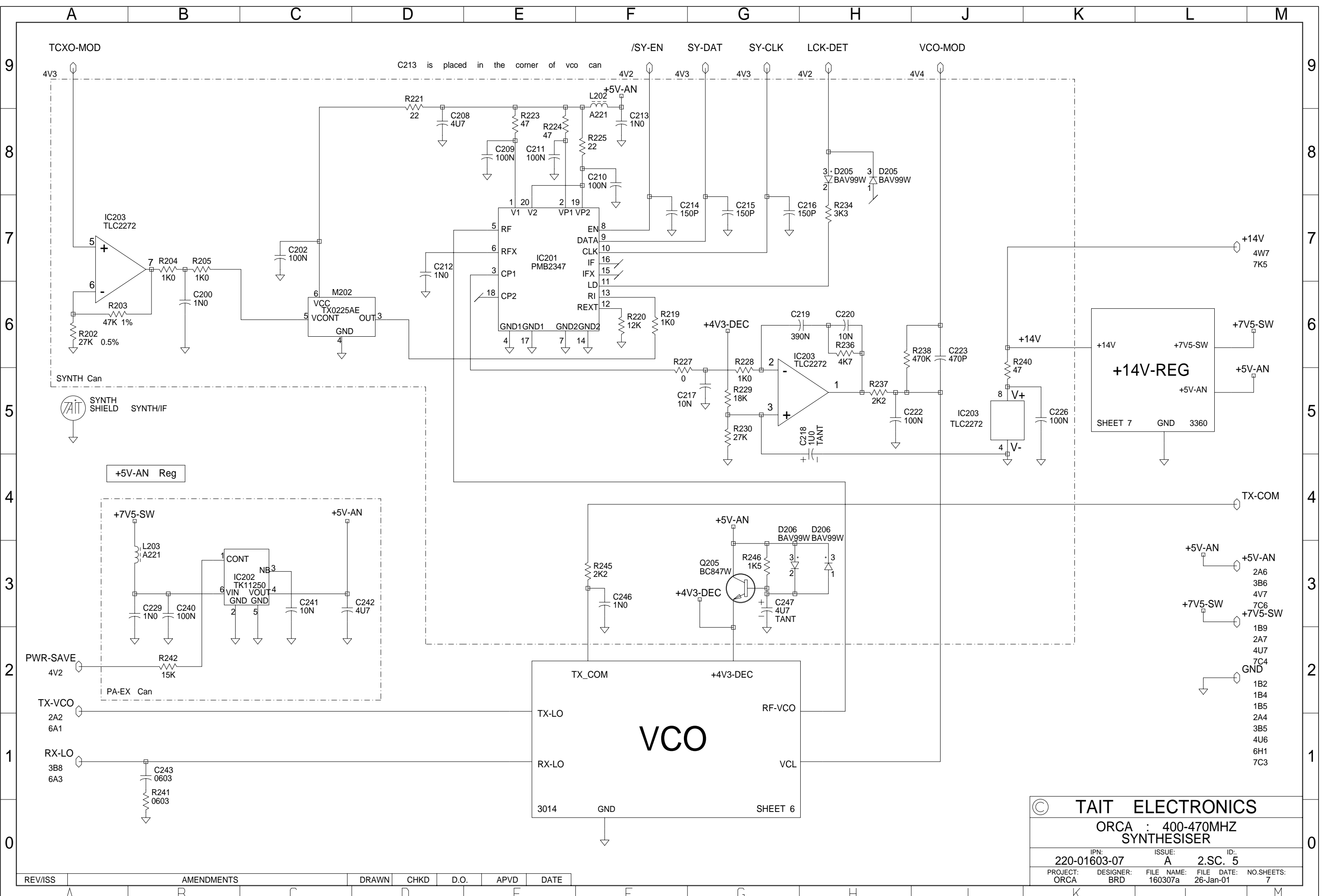
© TAIT ELECTRONICS
 ORCA : 400-470MHZ
 POWER AMPLIFIER
 IPN: 220-01603-07 ISSUE: A ID: 2.S.C. 2
 PROJECT: ORCA BRD DESIGNER: FILE NAME: 160307a FILE DATE: 26-Jan-01 NO.SHEETS: 7

REV/ISS	AMENDMENTS	DRAWN	CHKD	D.O.	APVD	DATE
A						





© TAIT ELECTRONICS
 ORCA : 400-470MHZ
 PROCESSOR
 220-01603-07
 2-SC-4
 PROJECT DESIGNER FILE NAME FILE DATE NO SHEETS
 ORCA BRD 160307a 26-Jan-01 7



© TAIT ELECTRONICS
 ORCA : 400-470MHZ SYNTHESISER
 IPN: 220-01603-07 ISSUE: A ID: 2.SC. 5
 PROJECT: ORCA DESIGNER: BRD FILE NAME: 160307a FILE DATE: 26-Jan-01 NO.SHEETS: 7

REV/ISS	AMENDMENTS	DRAWN	CHKD	D.O.	APVD	DATE

VCO
 3014 GND SHEET 6

+14V-REG
 SHEET 7 GND 3360

+5V-AN Reg
+7V5-SW
+5V-AN
 PA-EX Can

TCXO-MOD
 4V3

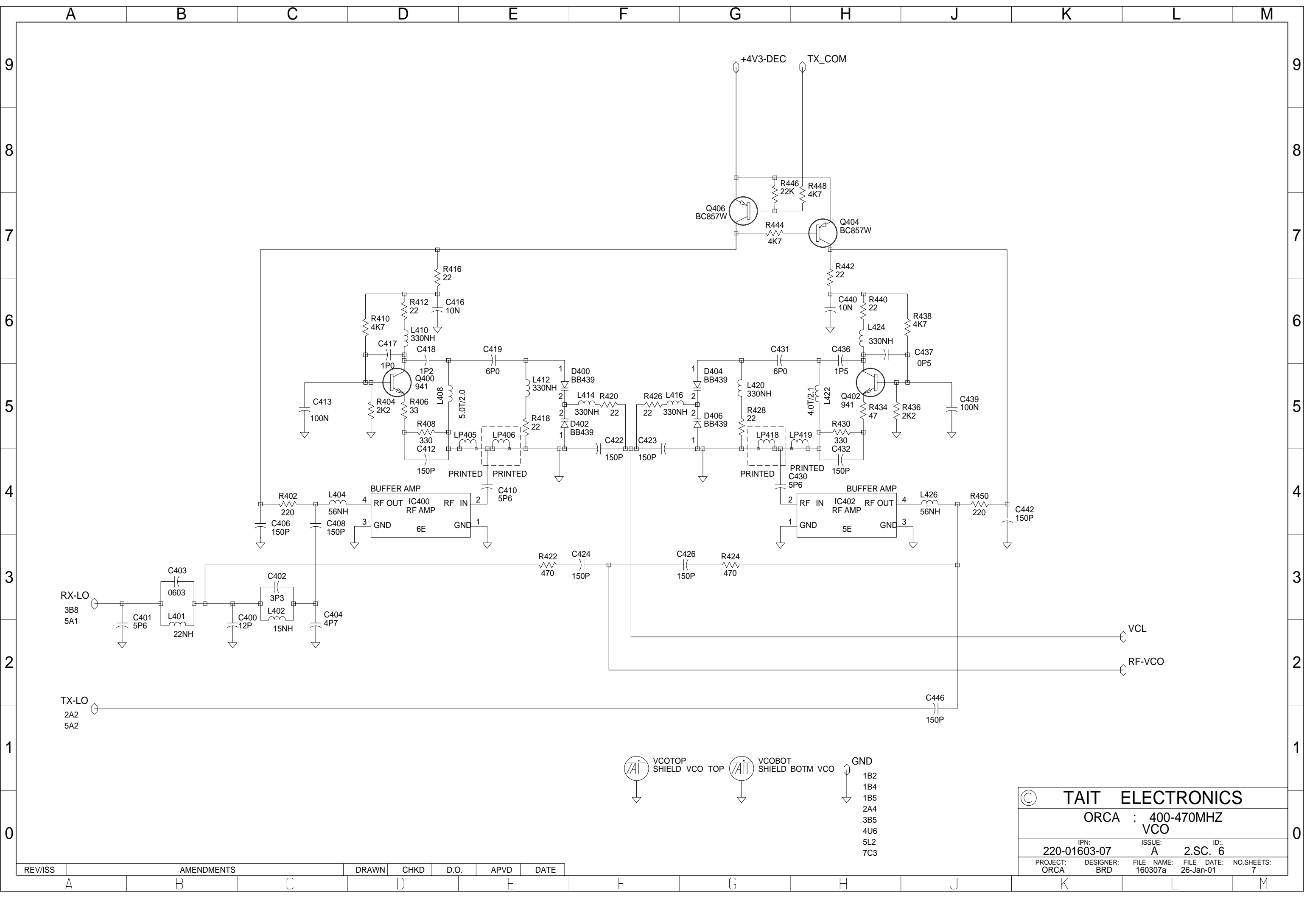
SYNTH Can
 ZAIT SYNTH SHIELD SYNTH/IF

+4V3-DEC
 +5V-AN

+14V
 4W7 7K5
 +7V5-SW
 +5V-AN

- +5V-AN 2A6
- +5V-AN 3B6
- +5V-AN 4V7
- +7V5-SW 7C6
- +7V5-SW 1B9
- +7V5-SW 2A7
- +7V5-SW 4U7
- +7V5-SW 7C4
- GND 1B2
- GND 1B4
- GND 1B5
- GND 2A4
- GND 3B5
- GND 4U6
- GND 6H1
- GND 7C3

C213 is placed in the corner of vco can



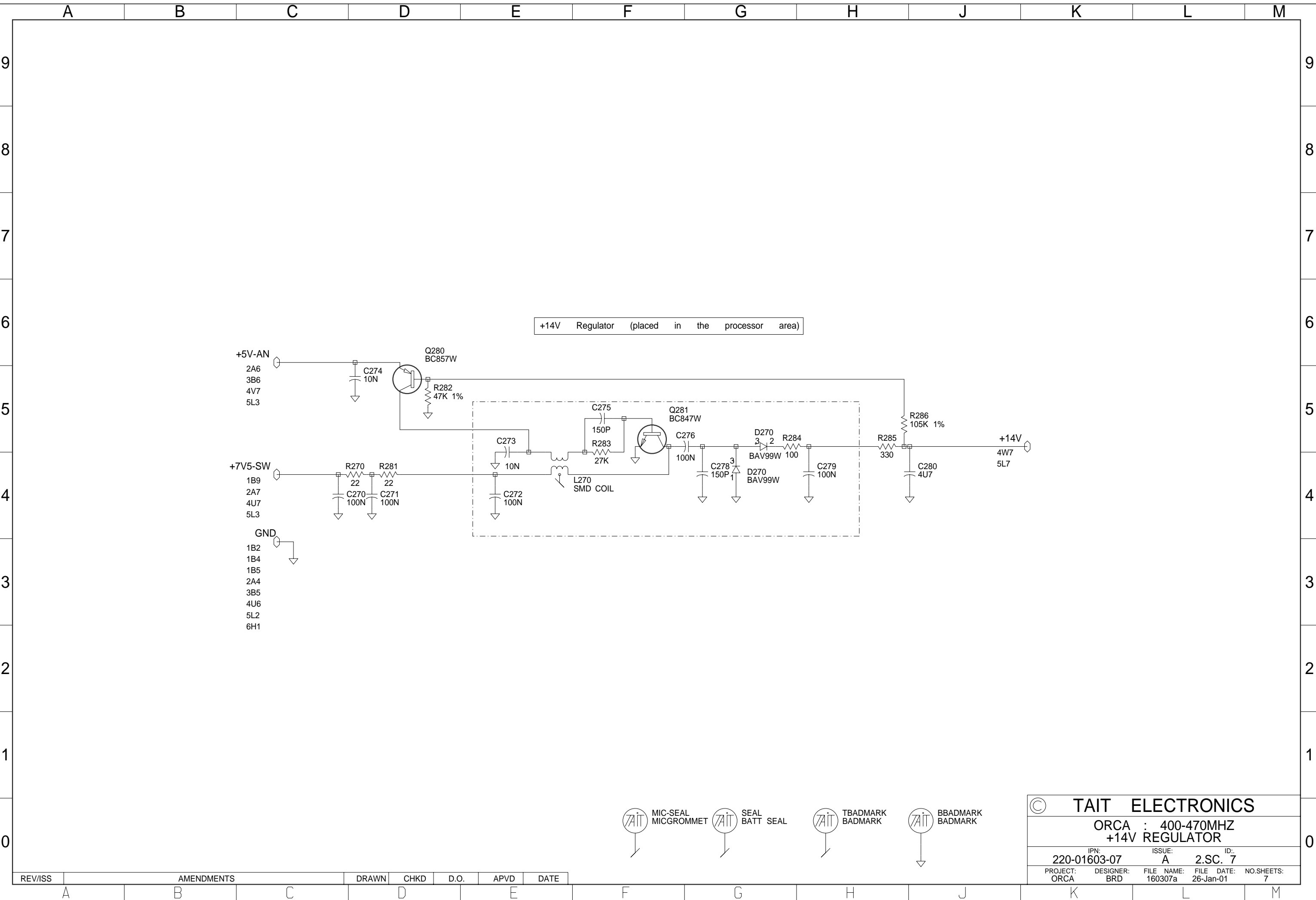
© TAIT ELECTRONICS

ORCA : 400-470MHZ
VCO





IPN: 220-01603-07 ISSUE: A ID: 2.SC. 6

PROJECT: ORCA DESIGNER: BRD FILE NAME: 160307a FILE DATE: 26-Jan-01 NO.SHEETS: 7

REV/ISS	AMENDMENTS	DRAWN	CHKD	D.O.	APVD	DATE

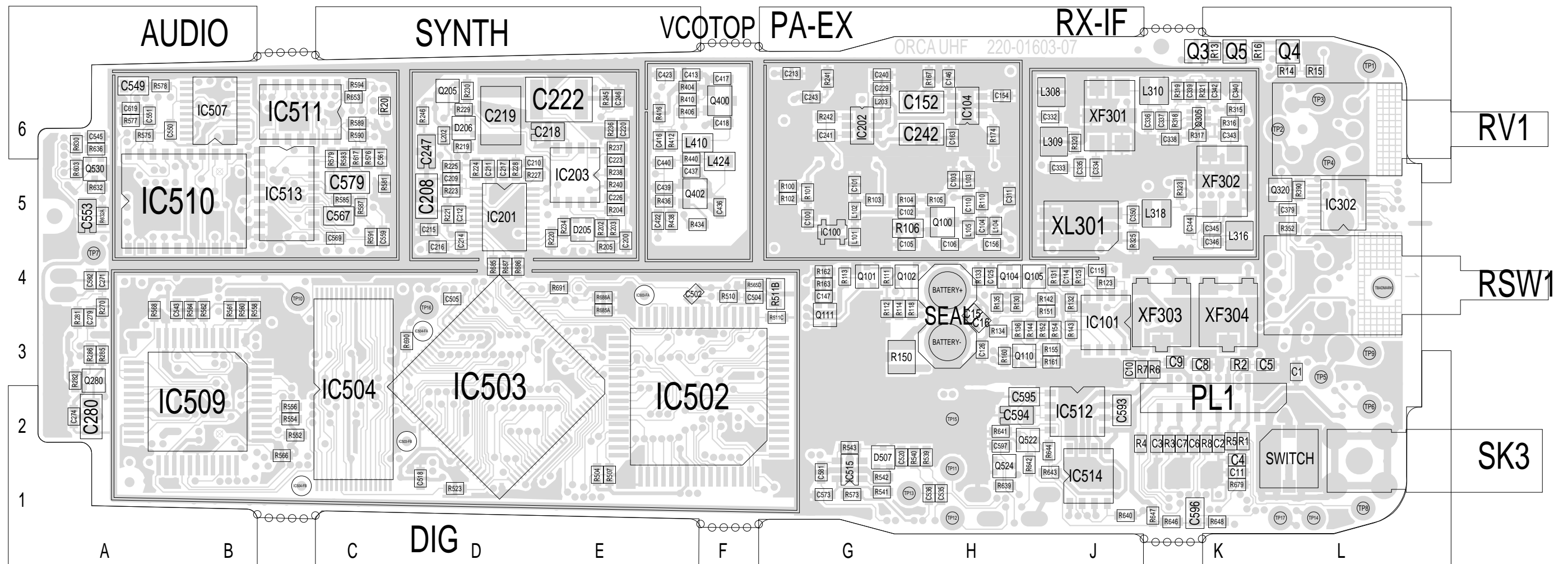


+14V Regulator (placed in the processor area)

-  MIC-SEAL MICGROMMET
-  SEAL BATT SEAL
-  TBADMARK BADMARK
-  BBADMARK BADMARK

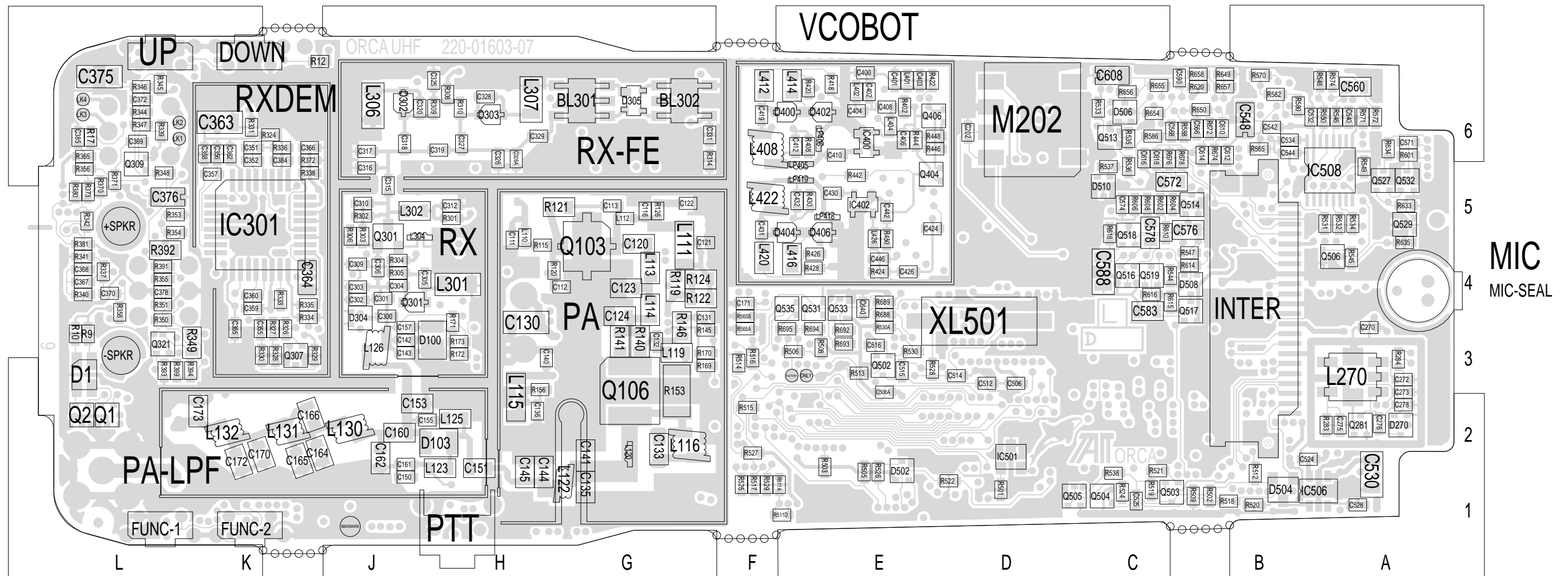
© TAIT ELECTRONICS				
ORCA : 400-470MHZ +14V REGULATOR				
IPN:	ISSUE:	ID:		
220-01603-07	A	2.SC. 7		
PROJECT:	DESIGNER:	FILE NAME:	FILE DATE:	NO.SHEETS:
ORCA	BRD	160307a	26-Jan-01	7

REV/ISS	AMENDMENTS	DRAWN	CHKD	D.O.	APVD	DATE



TAIT ELECTRONICS IPN: 220-01603-07 ISS: A ID: 1.TA DATE: 26 Jan 2001
 ORCA UHF PCB LAYOUT - TOP SIDE

Scale: 2.3:1 ; Rotation: 0 degrees



TAIT ELECTRONICS	IPN: 220-01603-07	ISS: A	ID: 6.BA	DATE: 26 Jan 2001
ORCA UHF PCB LAYOUT - BOTTOM SIDE				